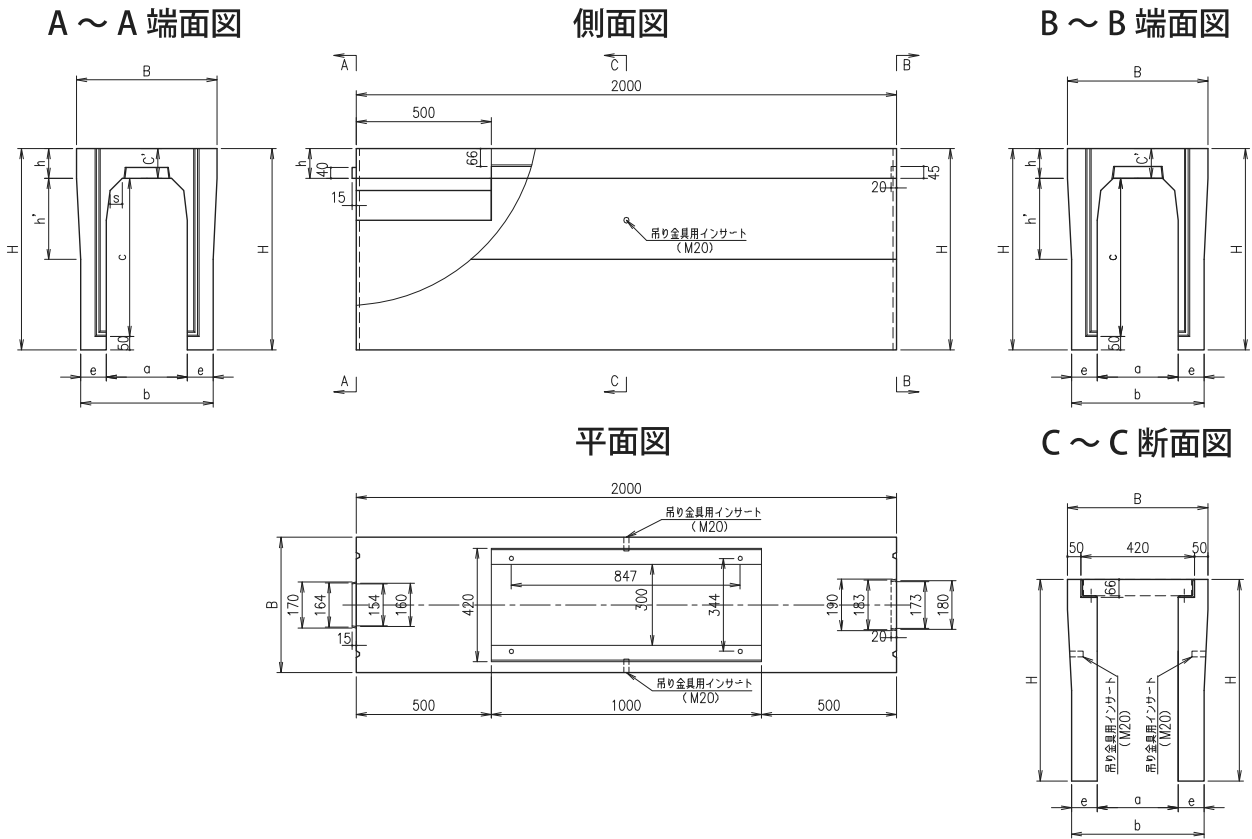


# 自由勾配 (KVS) 側溝 〈横断〉

## KVS側溝300 横断 (Zアングル)

| 呼び名     | 参考重量 (kg) | 価格 (円)  | 寸法 (mm) |     |       |     |       |     |    |     |     |    |     |     |
|---------|-----------|---------|---------|-----|-------|-----|-------|-----|----|-----|-----|----|-----|-----|
|         |           |         | B       | b   | H     | a   | c     | c'  | e  | h   | h'  | s  |     |     |
| 300×300 | 475       | 39,150  | 520     | 460 | 445   | 300 | 285   | 110 | 80 | 110 | 200 | 45 |     |     |
| ×400    | 550       | 43,580  |         |     | 545   |     | 385   |     |    |     |     |    |     |     |
| ×500    | 624       | 47,860  |         |     | 645   |     | 485   |     |    |     |     |    |     |     |
| ×600    | 780       | 57,150  |         | 490 | 745   |     | 585   |     |    |     |     |    | 95  | 300 |
| ×700    | 868       | 62,290  |         |     | 845   |     | 685   |     |    |     |     |    |     |     |
| ×800    | 957       | 67,430  |         |     | 945   |     | 785   |     |    |     |     |    |     |     |
| ×900    | 1,155     | 85,580  |         | 520 | 1,045 |     | 885   |     |    |     |     |    | 110 | —   |
| ×1,000  | 1,257     | 92,150  |         |     | 1,145 |     | 985   |     |    |     |     |    |     |     |
| ×1,100  | 1,359     | 98,720  |         |     | 1,245 |     | 1,085 |     |    |     |     |    |     |     |
| ×1,200  | 1,462     | 115,000 |         |     | 1,345 |     | 1,185 |     |    |     |     |    |     |     |
| ×1,300  | 1,566     | 123,290 |         |     | 1,445 |     | 1,285 |     |    |     |     |    |     |     |
| ×1,400  | 1,669     | 131,580 |         |     | 1,545 |     | 1,385 |     |    |     |     |    |     |     |

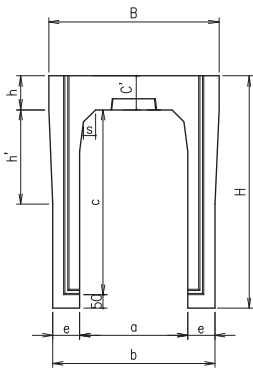


# 自由勾配 (KVS) 側溝 〈横断〉

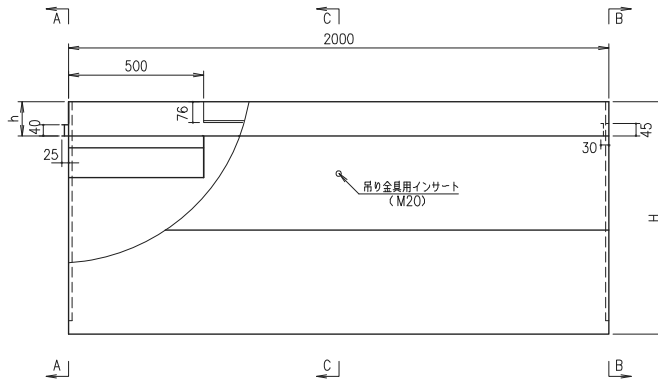
## KVS側溝400 横断 (Zアングル)

| 呼び名     | 参考重量<br>(kg) | 価 格<br>(円) | 寸 法 (mm) |     |       |     |       |     |    |     |     |    |
|---------|--------------|------------|----------|-----|-------|-----|-------|-----|----|-----|-----|----|
|         |              |            | B        | b   | H     | a   | c     | c'  | e  | h   | h'  | s  |
| 400×400 | 642          | 53,150     | 630      | 570 | 560   | 400 | 385   | 125 | 85 | 125 | 250 | 55 |
| ×500    | 721          | 58,150     |          |     | 660   |     | 485   |     |    |     |     |    |
| ×600    | 800          | 63,290     |          |     | 760   |     | 585   |     |    |     |     |    |
| ×700    | 971          | 74,290     |          | 600 | 860   |     | 685   |     |    |     |     |    |
| ×800    | 1,064        | 80,290     |          |     | 960   |     | 785   |     |    |     |     |    |
| ×900    | 1,157        | 86,290     |          |     | 1,060 |     | 885   |     |    |     |     |    |
| ×1,000  | 1,370        | 107,580    |          | 630 | 1,160 |     | 985   |     |    |     |     |    |
| ×1,100  | 1,477        | 115,000    |          |     | 1,260 |     | 1,085 |     |    |     |     |    |
| ×1,200  | 1,584        | 122,580    |          |     | 1,360 |     | 1,185 |     |    |     |     |    |

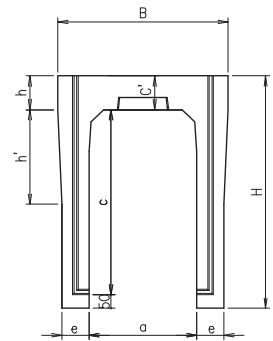
A ~ A 端面図



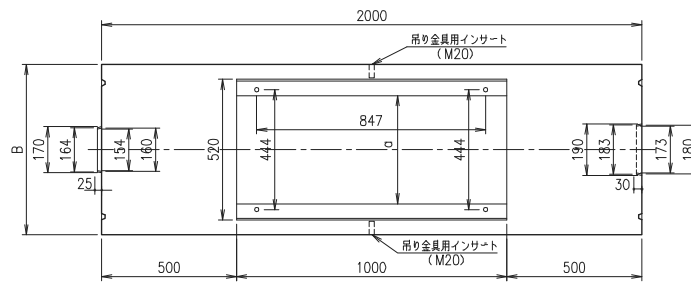
側面図



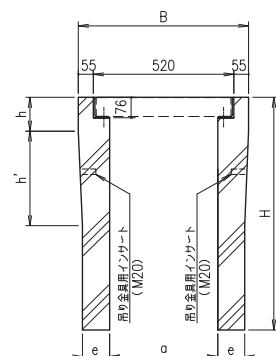
B ~ B 端面図



平面図



C ~ C 断面図

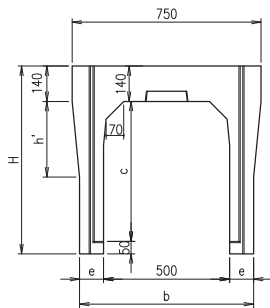


# 自由勾配 (KVS) 側溝 〈横断〉

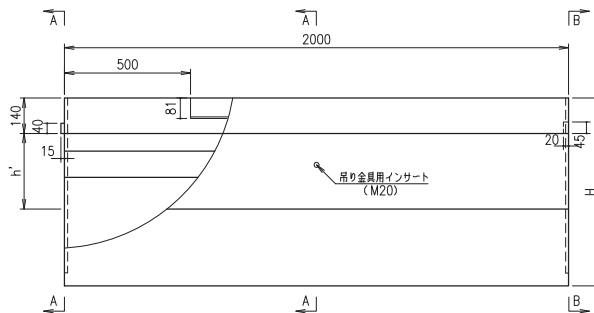
## KVS側溝500 横断 (Zアングル)

| 呼び名     | 参考重量 (kg) | 価格 (円)  | 寸法 (mm) |     |       |       |     |
|---------|-----------|---------|---------|-----|-------|-------|-----|
|         |           |         | b       | e   | c     | H     | h'  |
| 500×400 | 773       | 56,720  | 690     | 95  | 385   | 575   | 300 |
| ×500    | 861       | 63,150  |         |     | 485   | 675   |     |
| ×600    | 949       | 68,580  |         |     | 585   | 775   |     |
| ×700    | 1,038     | 79,430  |         |     | 685   | 875   |     |
| ×800    | 1,126     | 85,860  |         |     | 785   | 975   |     |
| ×900    | 1,331     | 91,720  | 720     | 110 | 885   | 1,075 | 400 |
| ×1,000  | 1,433     | 109,580 |         |     | 985   | 1,175 |     |
| ×1,100  | 1,536     | 122,000 |         |     | 1,085 | 1,275 |     |
| ×1,200  | 1,783     | 124,860 | 750     | 125 | 1,185 | 1,375 | -   |
| ×1,300  | 1,899     | 140,290 |         |     | 1,285 | 1,475 |     |
| ×1,400  | 2,015     | 148,150 |         |     | 1,385 | 1,575 |     |

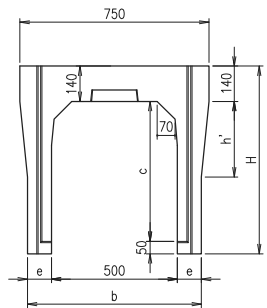
A ~ A 端面図



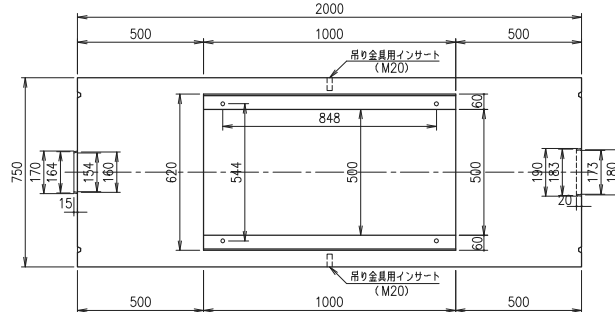
側面図



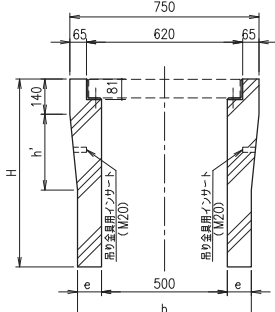
B ~ B 端面図



平面図



C ~ C 断面図

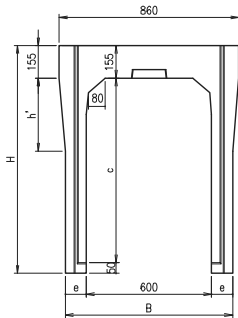


# 自由勾配 (KVS) 側溝 〈横断〉

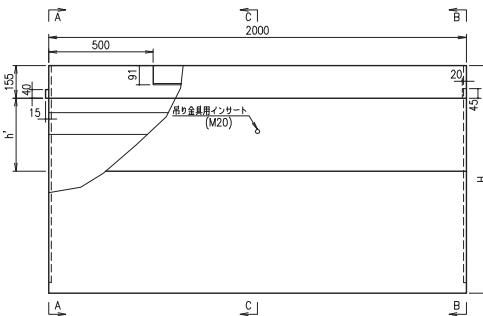
## KVS側溝600 横断 (Zアングル)

| 呼び名     | 参考重量<br>(kg) | 価格<br>(円)       | 寸法 (mm) |     |       |       |     |
|---------|--------------|-----------------|---------|-----|-------|-------|-----|
|         |              |                 | b       | e   | c     | H     | h'  |
| 600×600 | 1,070        | <b>79,720</b>   | 800     | 100 | 585   | 790   | 350 |
| ×700    | 1,163        | <b>85,580</b>   |         |     | 685   | 890   |     |
| ×800    | 1,256        | <b>91,580</b>   |         |     | 785   | 990   |     |
| ×900    | 1,349        | <b>97,430</b>   |         |     | 885   | 1,090 |     |
| ×1,000  | 1,569        | <b>111,580</b>  | 830     | 115 | 985   | 1,190 | 450 |
| ×1,100  | 1,676        | <b>128,2930</b> |         |     | 1,085 | 1,290 |     |
| ×1,200  | 1,783        | <b>137,000</b>  |         |     | 1,185 | 1,390 |     |
| ×1,300  | 2,045        | <b>148,430</b>  | 860     | 130 | 1,285 | 1,490 | —   |
| ×1,400  | 2,166        | <b>156,580</b>  |         |     | 1,385 | 1,590 |     |
| ×1,500  | 2,287        | <b>164,720</b>  |         |     | 1,485 | 1,690 |     |

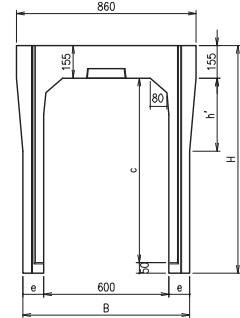
A ~ A 端面図



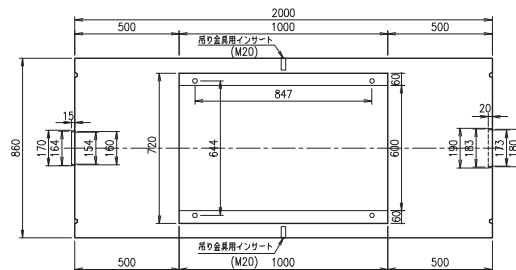
側面図



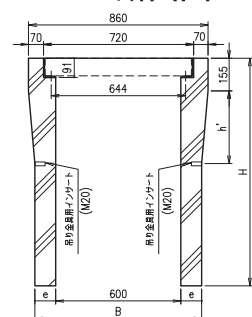
B ~ B 端面図



平面図



C ~ C 断面図



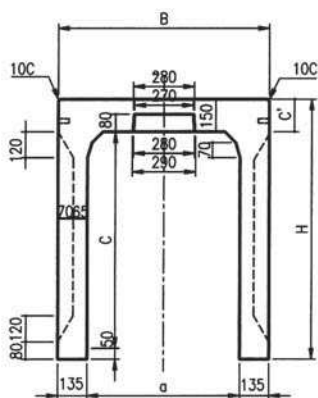
# 自由勾配 (KVS) 側溝 〈横断〉

## KVS側溝700 横断 (Zアングル)

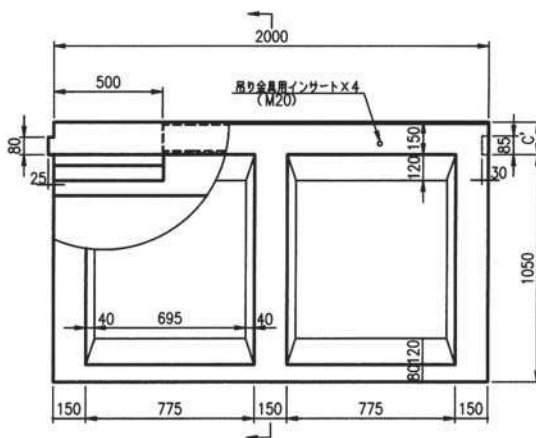
| 呼び名     | 参考重量 (kg) | 価格 (円)  | 寸法 (mm) |       |     |       |     |
|---------|-----------|---------|---------|-------|-----|-------|-----|
|         |           |         | B       | H     | a   | c     | c'  |
| 700×500 | 935       | 86,290  | 970     | 700   | 700 | 500   | 150 |
| ×600    | 1,010     | 93,150  |         | 800   |     | 600   |     |
| ×700    | 1,087     | 100,000 |         | 900   |     | 700   |     |
| ×800    | 1,164     | 106,860 |         | 1,000 |     | 800   |     |
| ×900    | 1,242     | 113,720 |         | 1,100 |     | 900   |     |
| ×1,000  | 1,320     | 132,000 |         | 1,200 |     | 1,000 |     |
| ×1,100  | 1,397     | 140,000 |         | 1,300 |     | 1,100 |     |
| ×1,200  | 1,475     | 148,150 |         | 1,400 |     | 1,200 |     |
| ×1,300  | 1,557     | 159,580 |         | 1,500 |     | 1,300 |     |
| ×1,400  | 1,635     | 168,000 |         | 1,600 |     | 1,400 |     |

2 オリジナル側溝

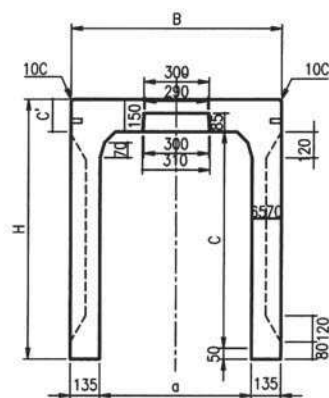
端面図



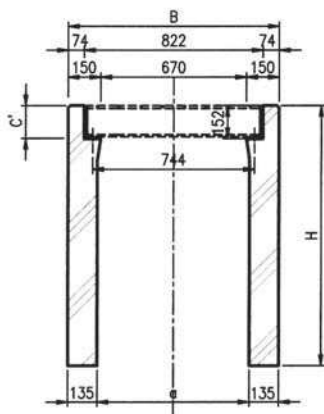
側面図



端面図



断面図



平面図

